

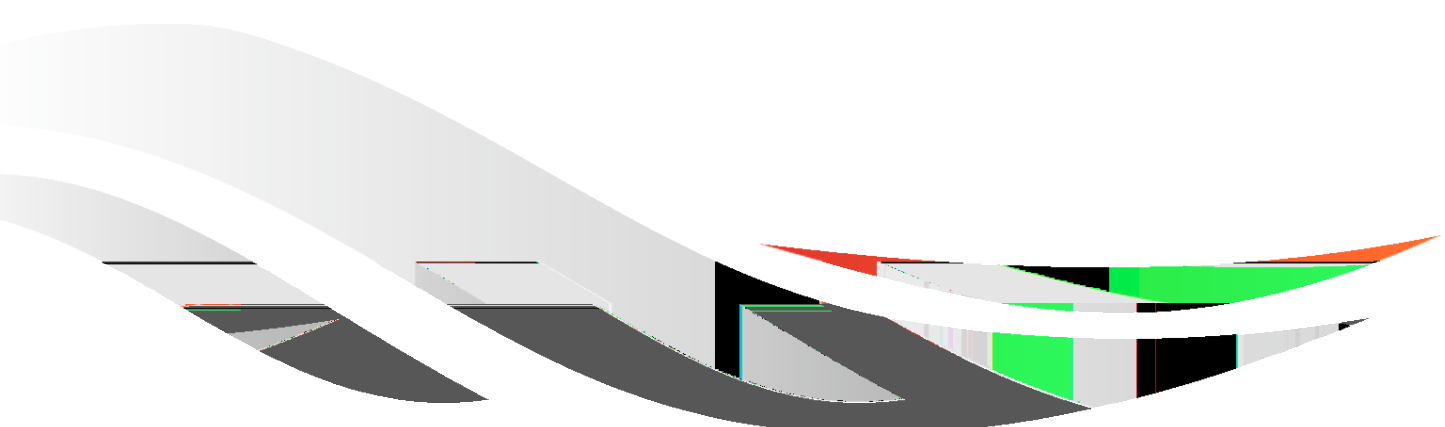


# **EVB\_EC600X、EC800X**

\_EVB\_ 0X、E800X

3.2

11 07



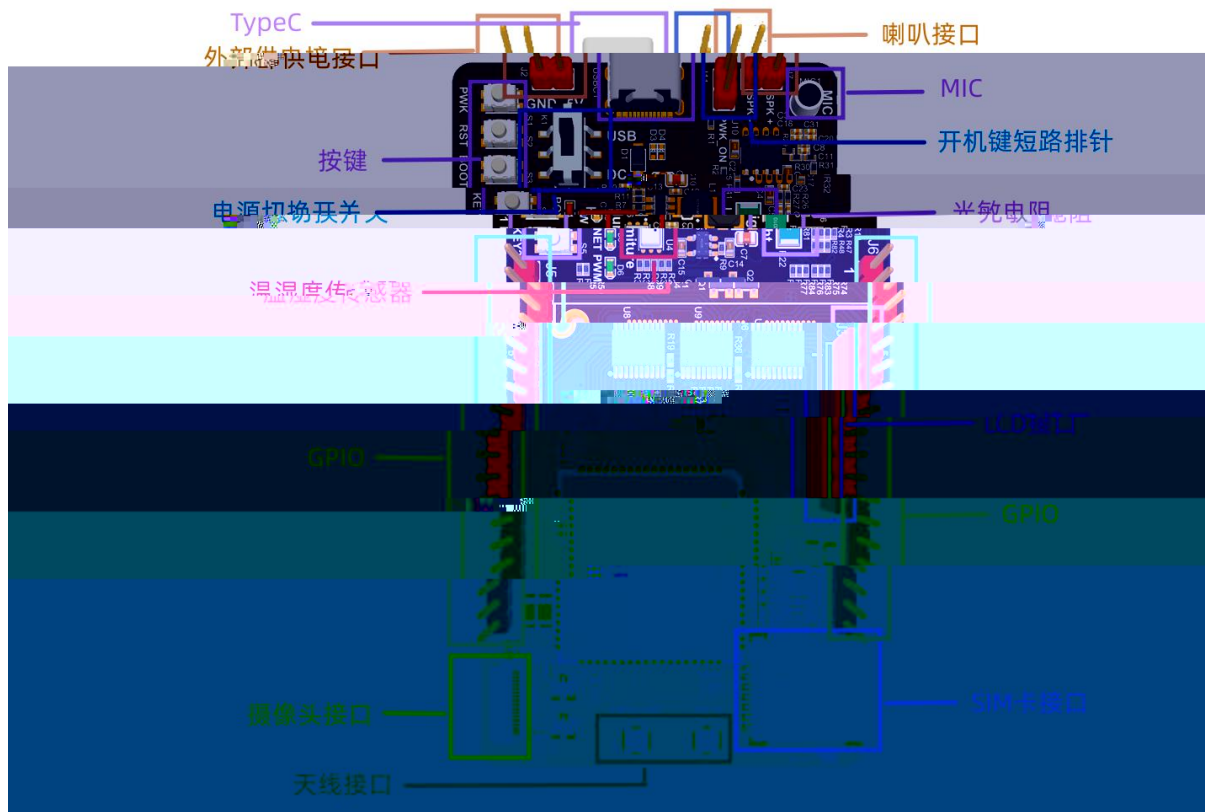
\_\_\_\_\_

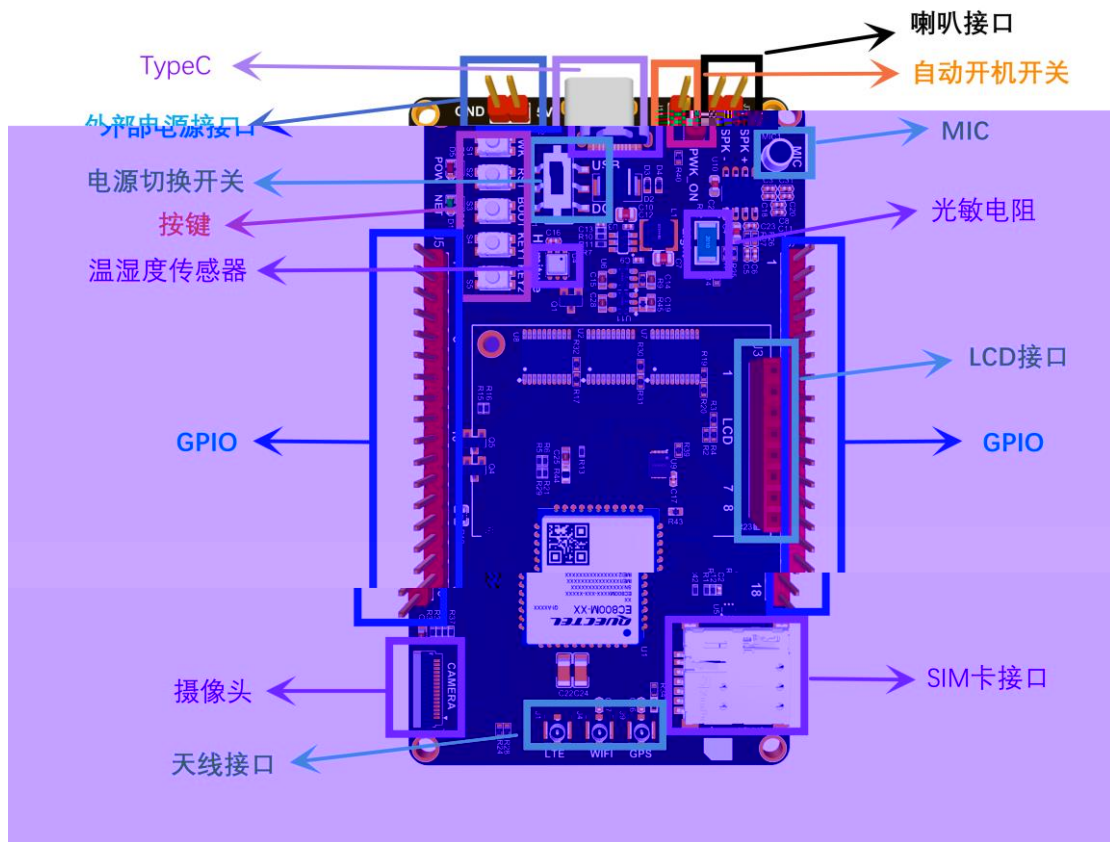
\_\_\_\_\_

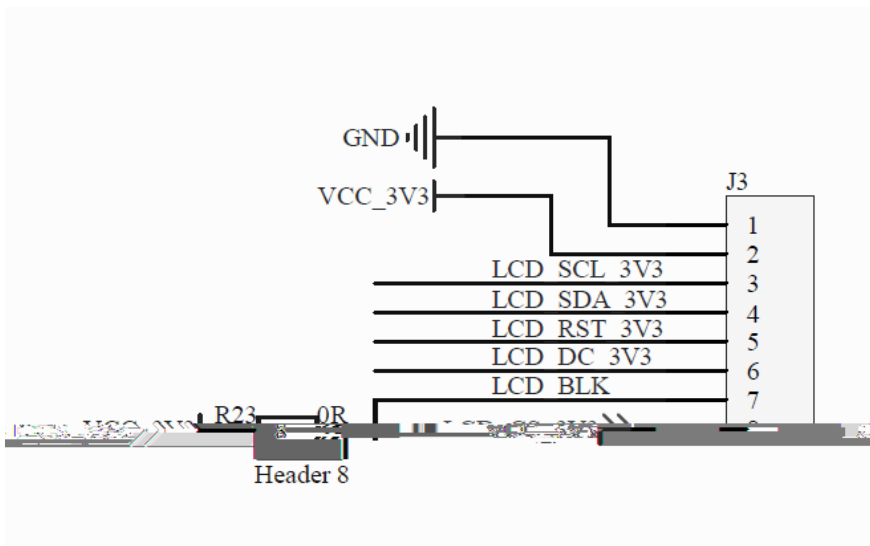
\_\_\_\_\_

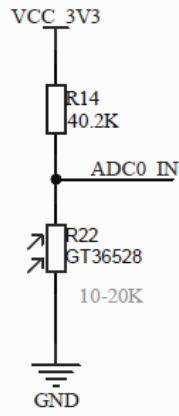
EC600X— EC600 EC600N EC600U EC600M  
EC800X— EC800 EC800M EC800E  
EVB—  
V3.X--



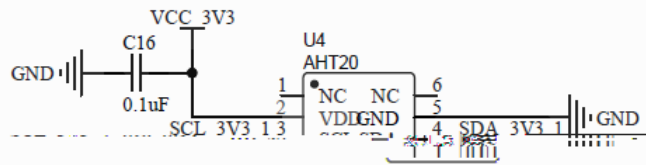
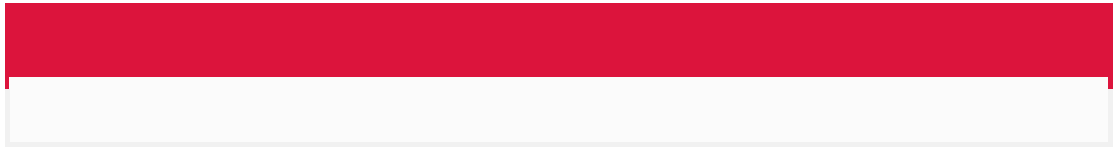


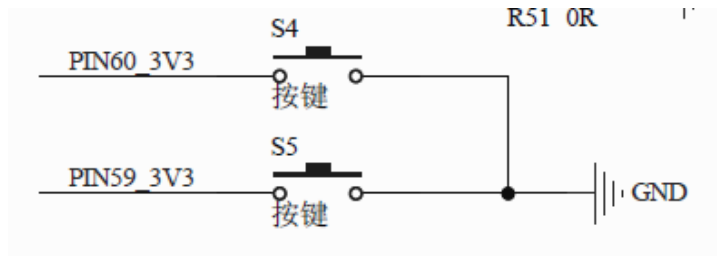
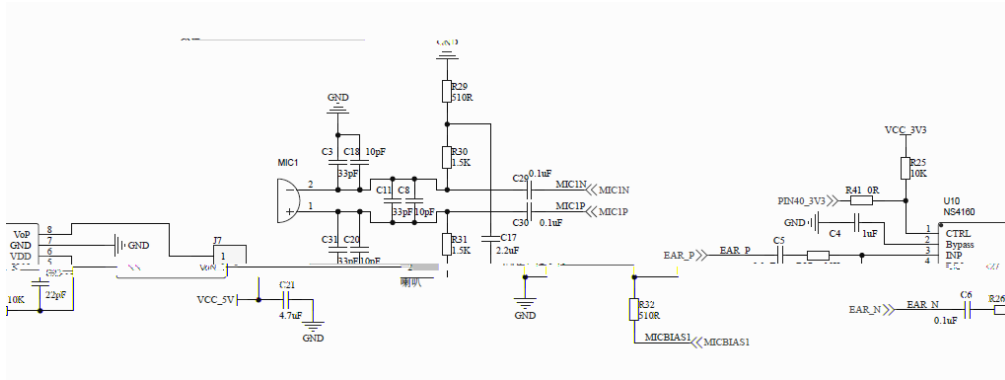




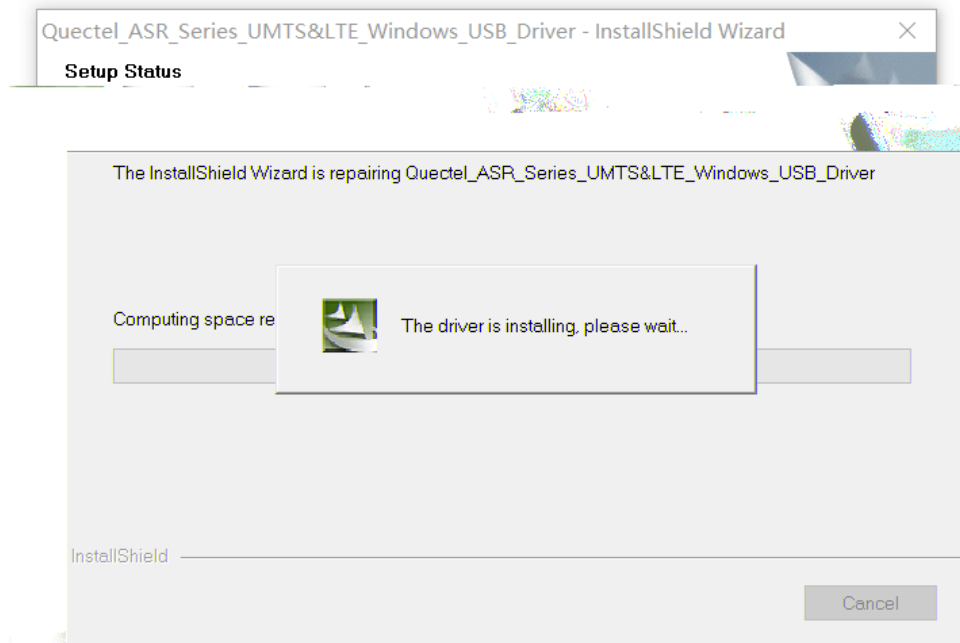


光敏电阻



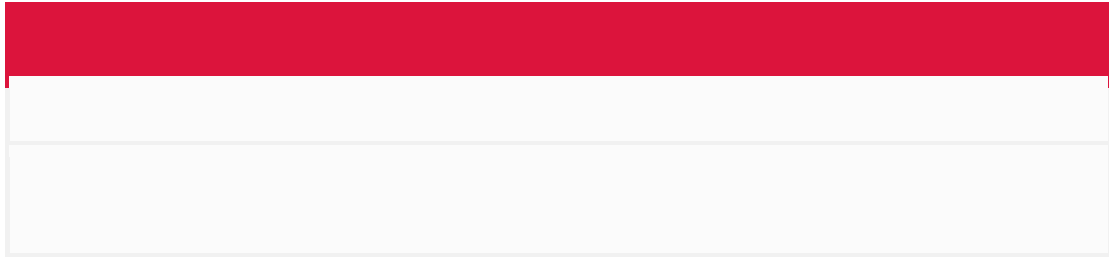


setup.exe



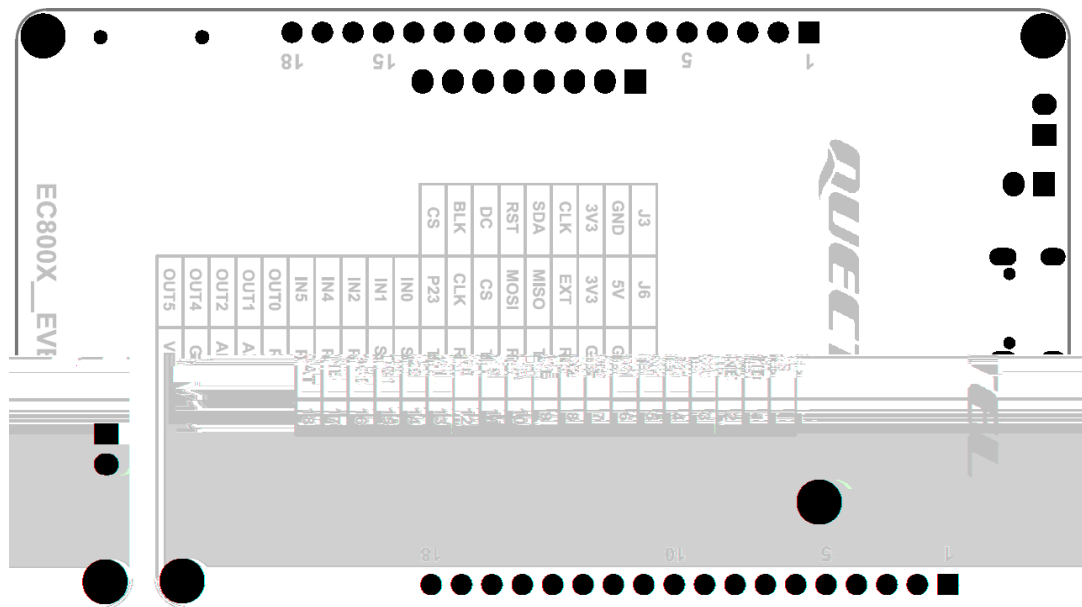
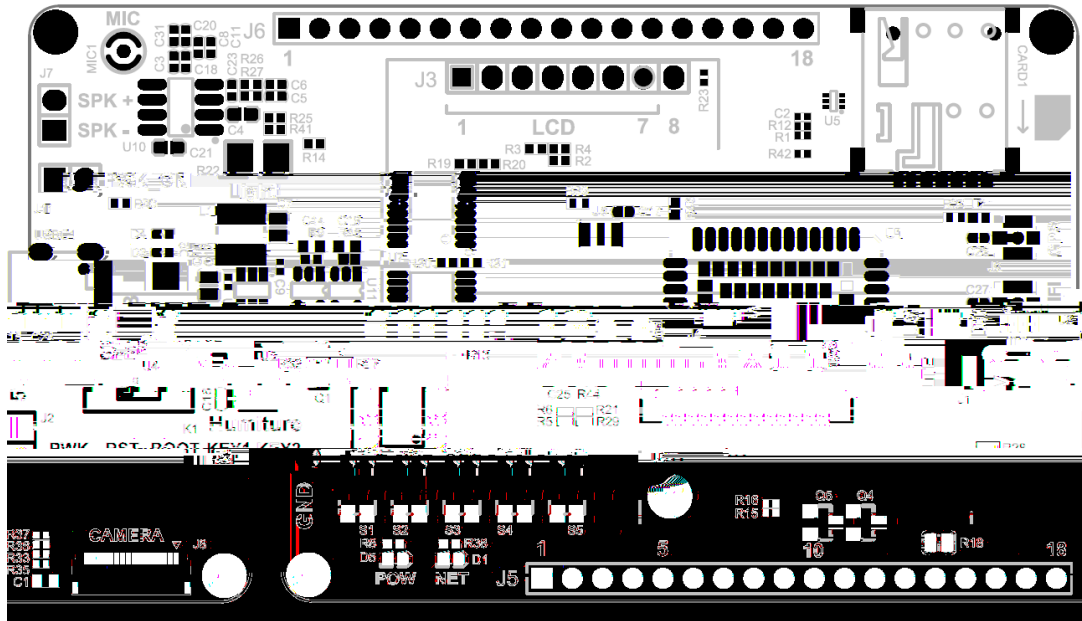


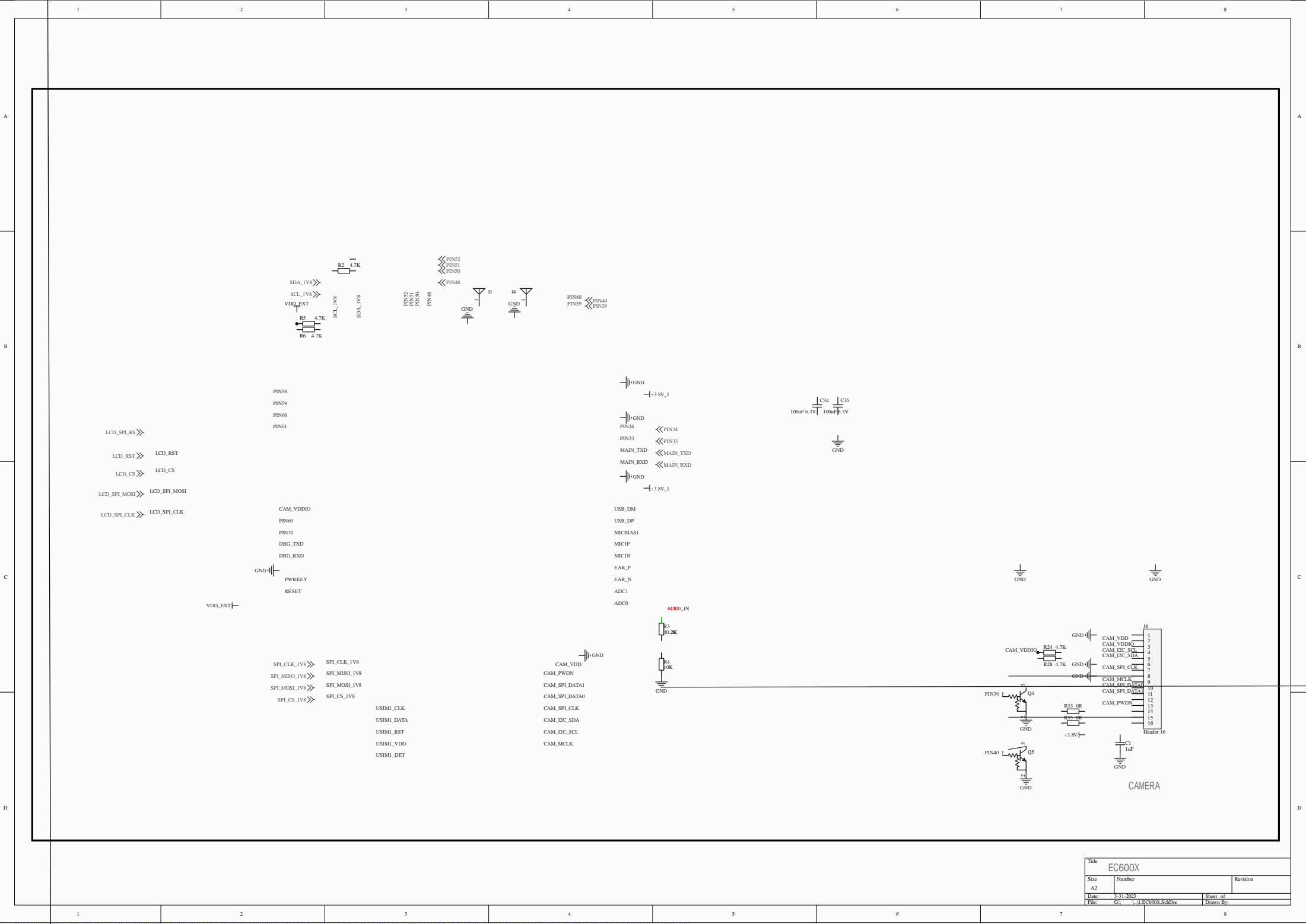
Quectel USB AT Port (COMx)  
Quectel USB AP Log Port (COMx)  
Quectel USB CP Log Port (COMx)  
Quectel USB Diag Port (COMx)  
Quectel USB MOS Port (COMx)  
Quectel Modem (COMx)  
Quectel USB Serial-1 Port (COMx)  
Quectel USB Serial-2 Port (COMx)



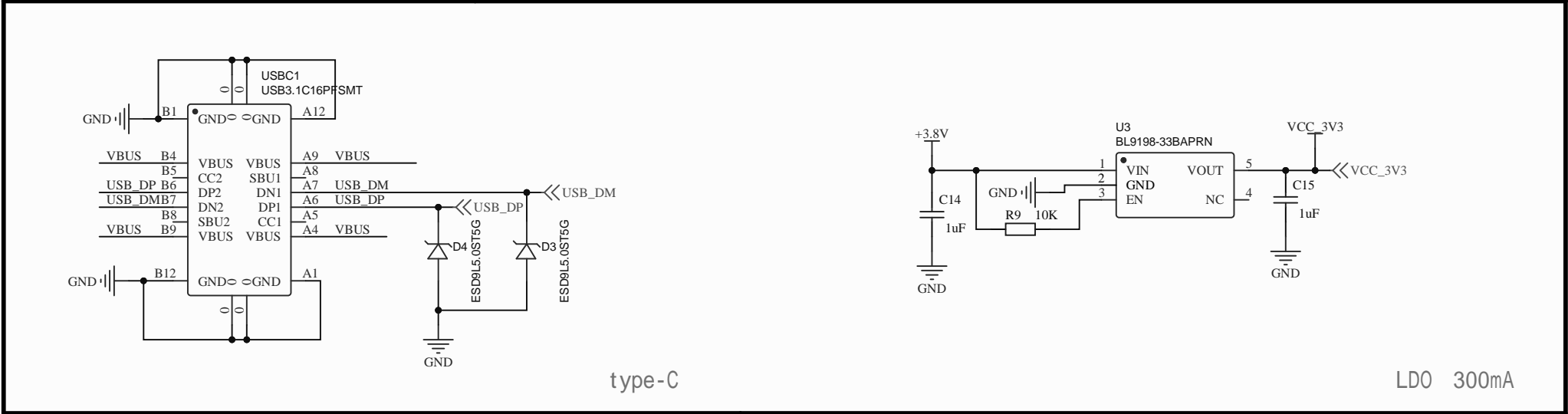
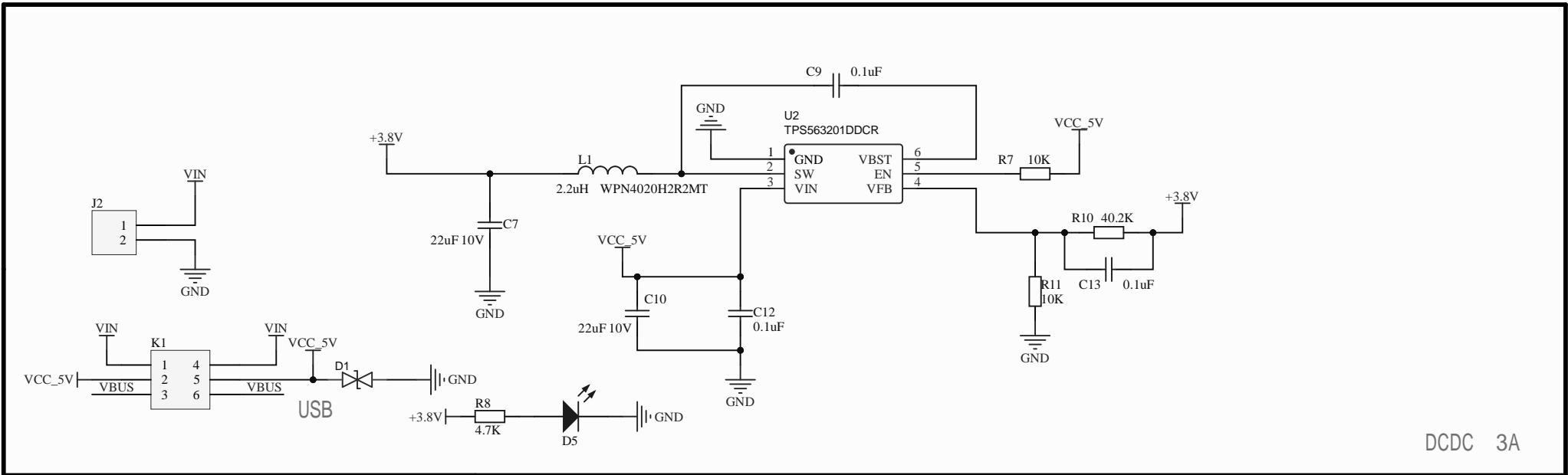




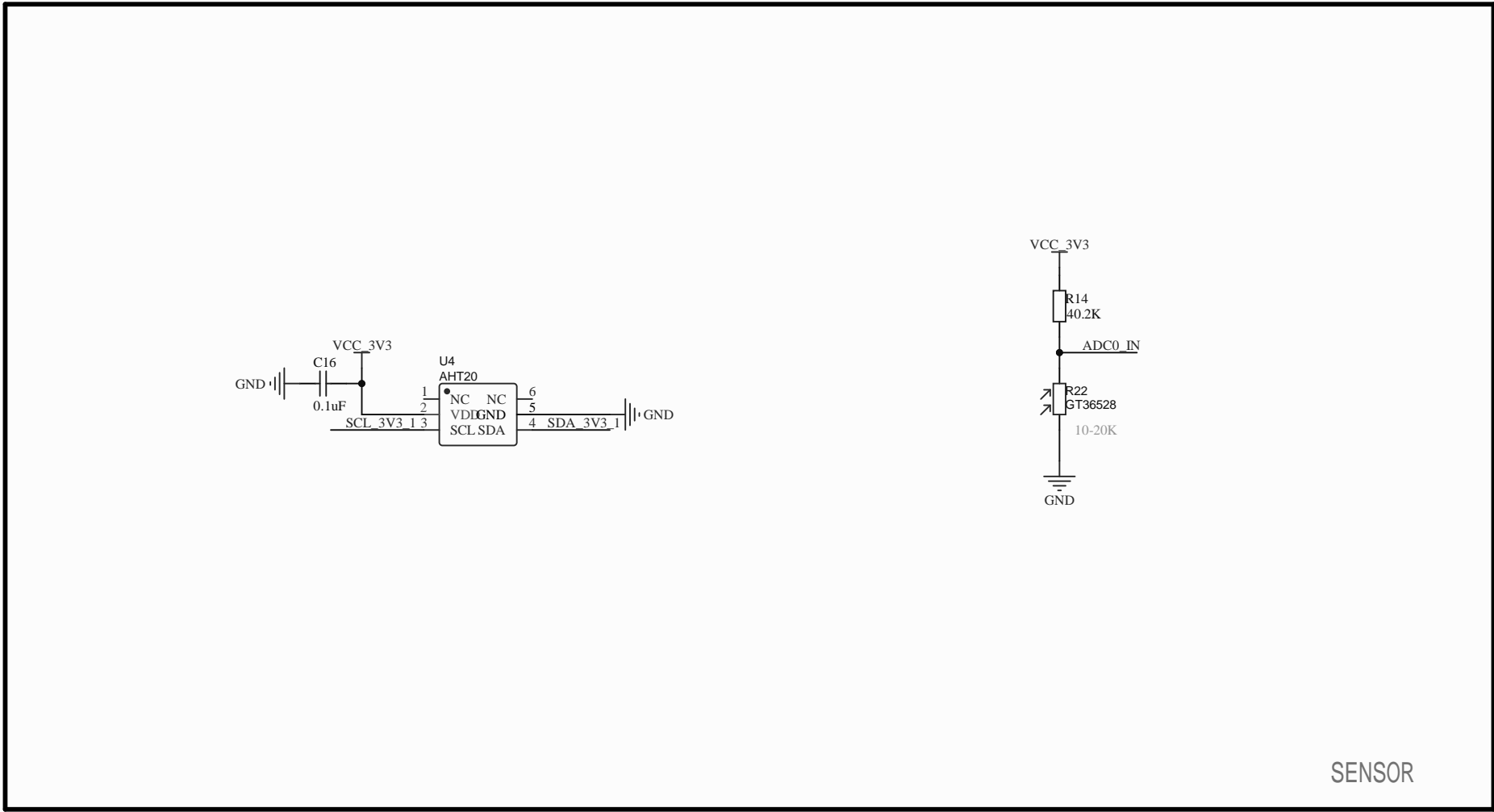




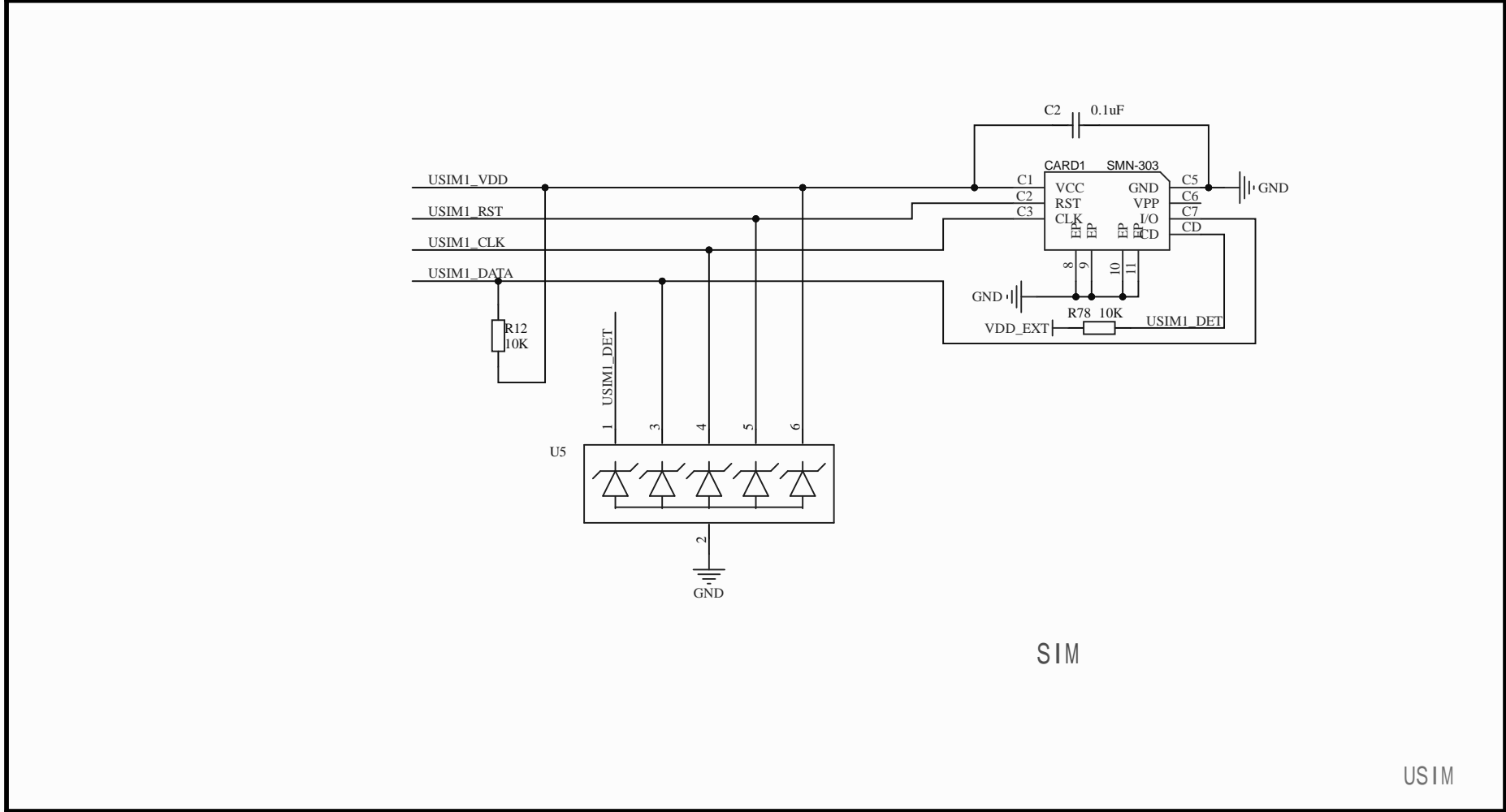
Title		EC600X	
Size	Number	Revision	
A2			
Date	3-31-2023	Sheet of	
File	G:\_1\1\EC600X_SchDoc	Drawn By:	



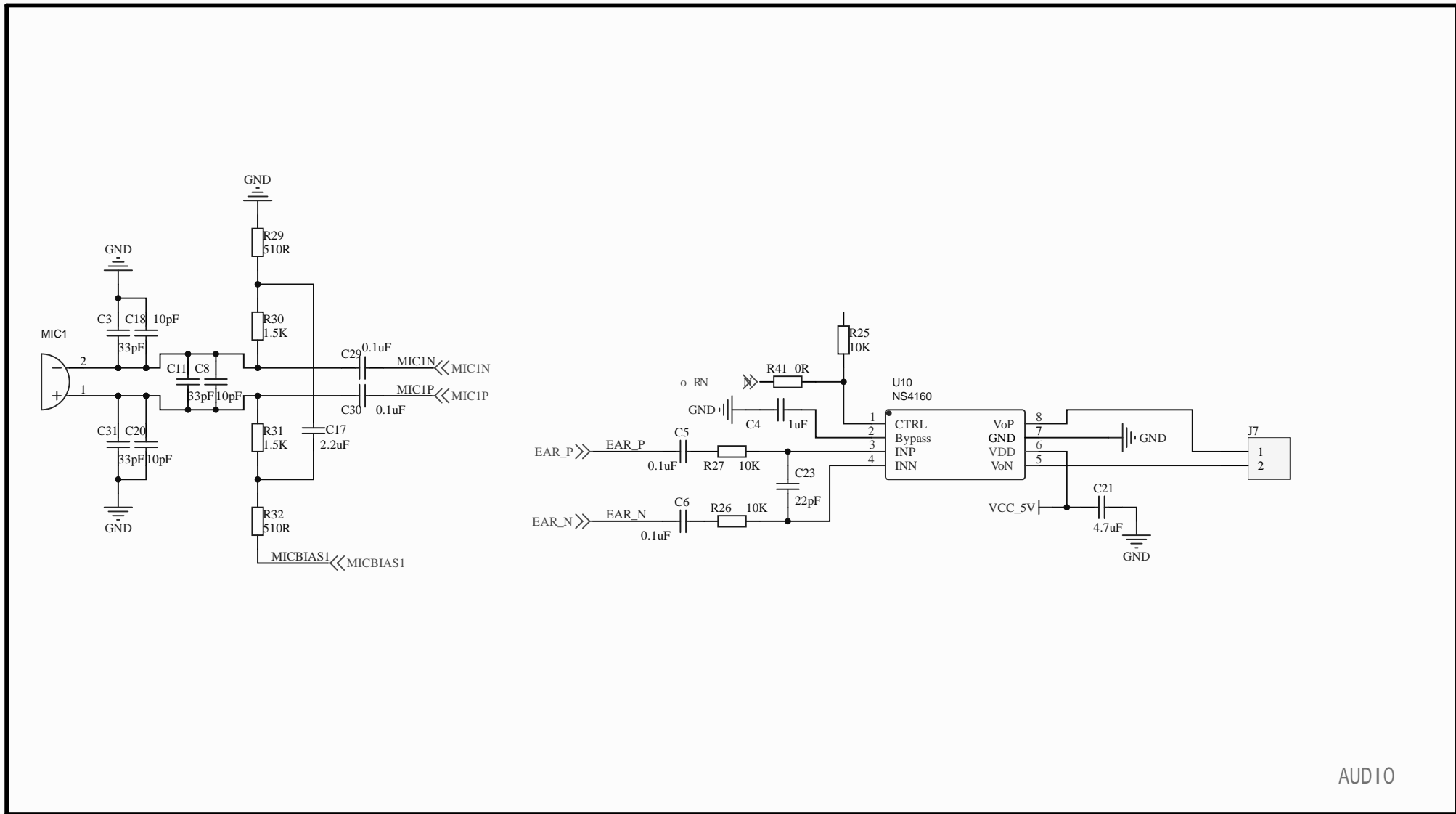
Title		
Size A4	Number	Revision
Date:	3-31-2023	Sheet of
File:	G:\...\2.POWER.SchDoc	Drawn By:



Title		
Size A4	Number	Revision
Date:	3-31-2023	Sheet of
File:	G:\...\3.SENSOR+EEPROM.SchDoc Drawn By:	

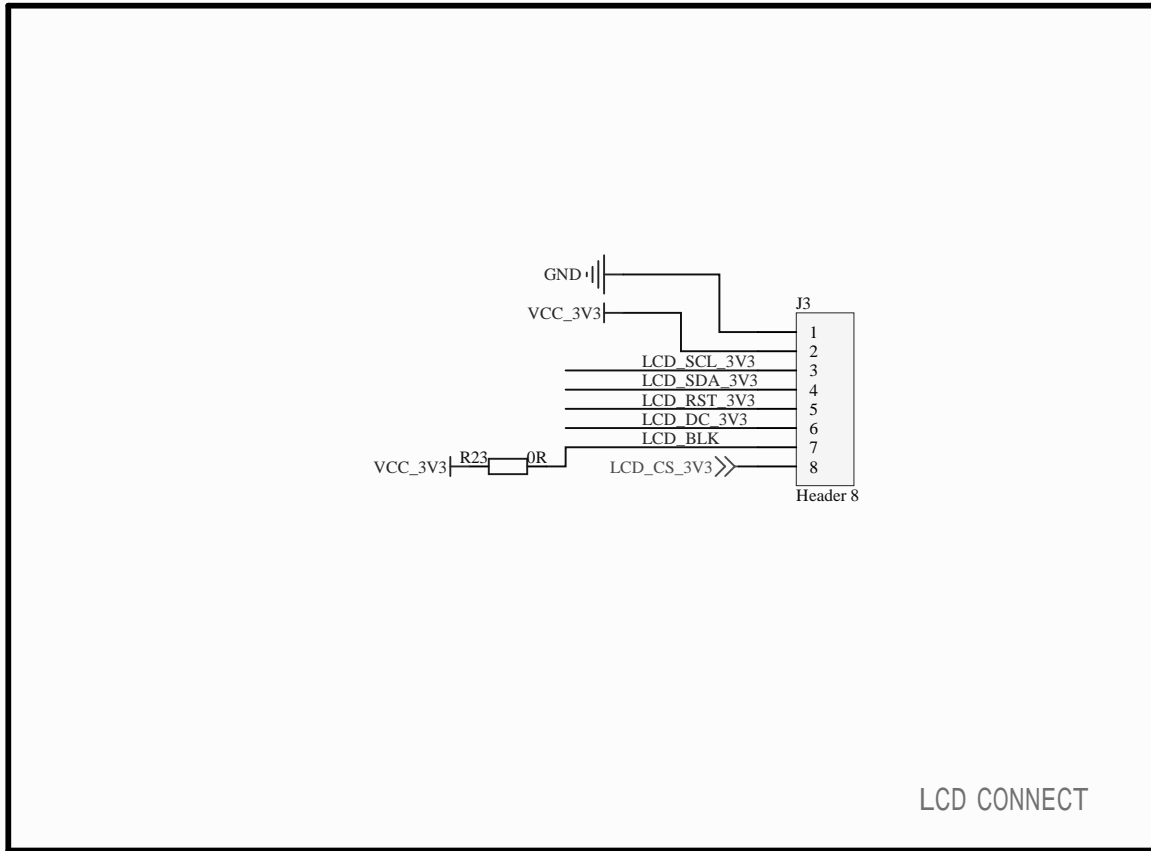


Title		
Size	Number	Revision
A4		
Date:	3-31-2023	Sheet of
File:	G:\...4.SIM-CARD.SchDoc	Drawn By:



Title		
Size A4	Number	Revision
Date:	3-31-2023	Sheet of
File:	G:\...\.5.AUDIO.SchDoc	Drawn By:





LCD CONNECT

Title		
Size A4	Number	Revision
Date:	3-31-2023	Sheet of
File:	G:\...\7.LCM.SchDoc	Drawn By:





1

2

3

4

A

A

B

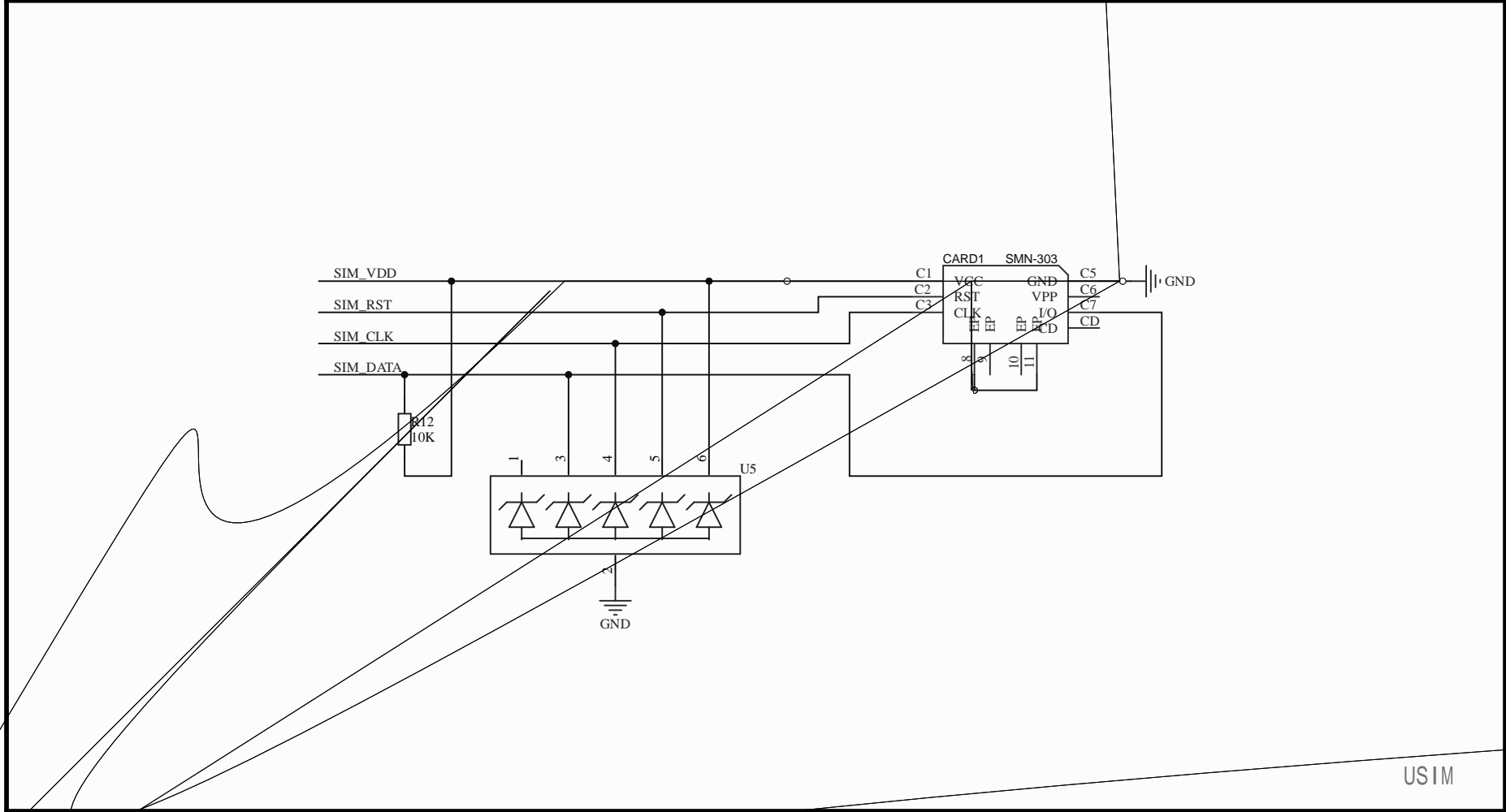
B

C

C

D

D



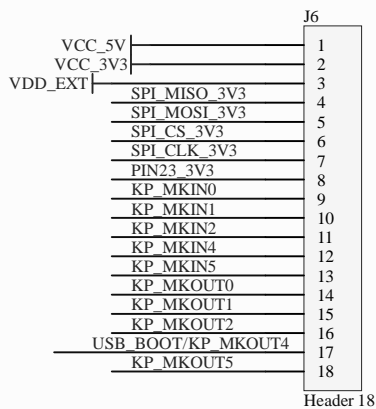
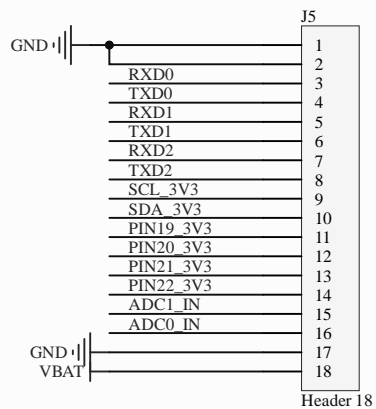
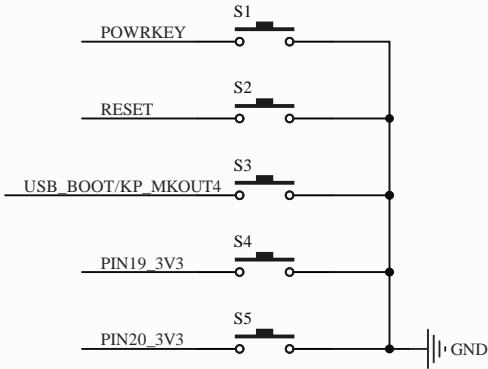
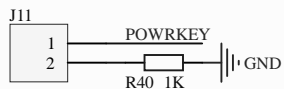
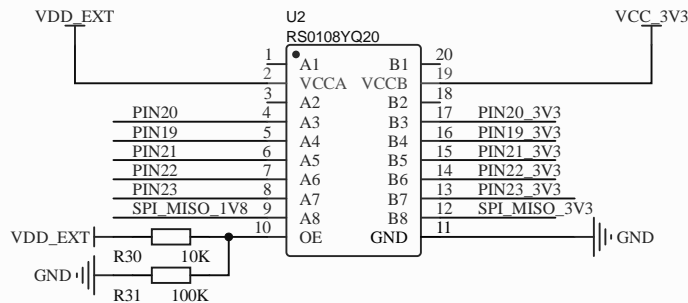
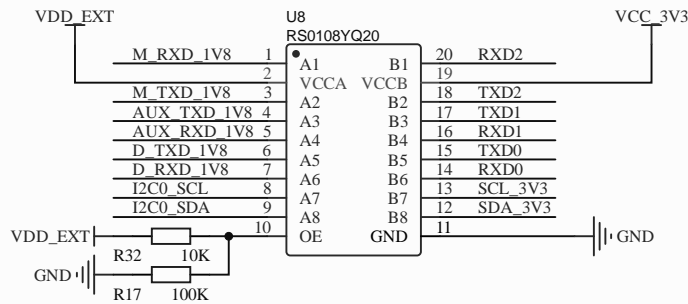
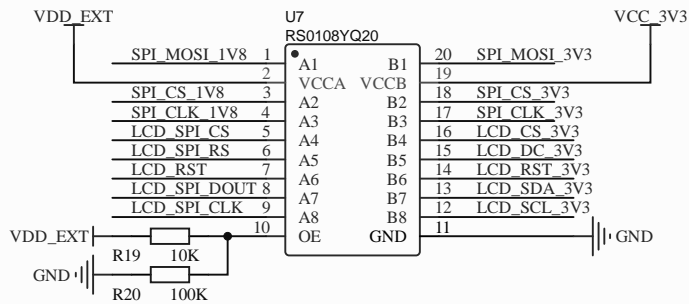
USIM

1

2

3

4



GPIO

1

2

3

4

A

A

B

B

C

C

D

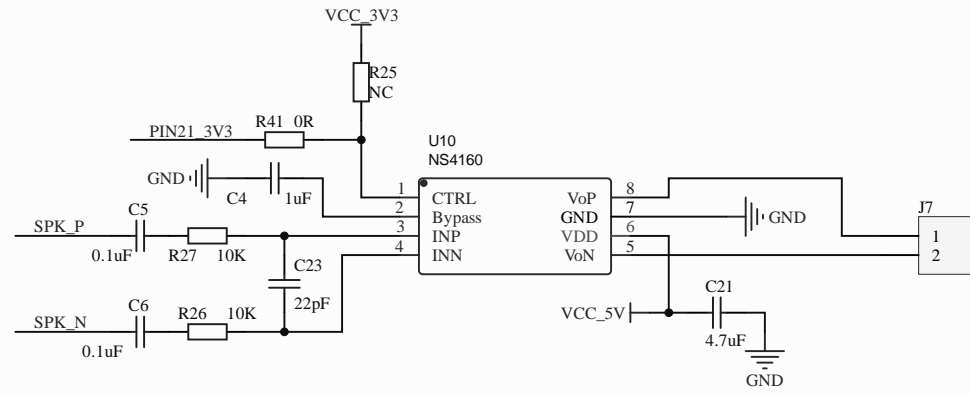
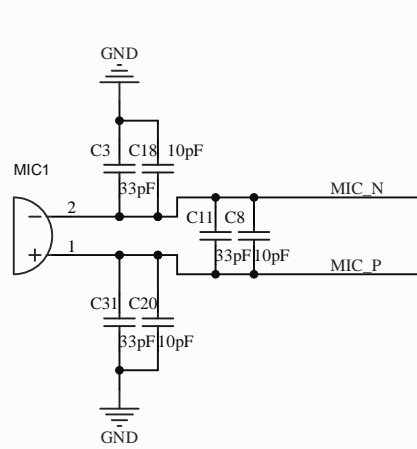
D

1

2

3

4



AUDIO

AUDIO

1

2

3

4

A

A

B

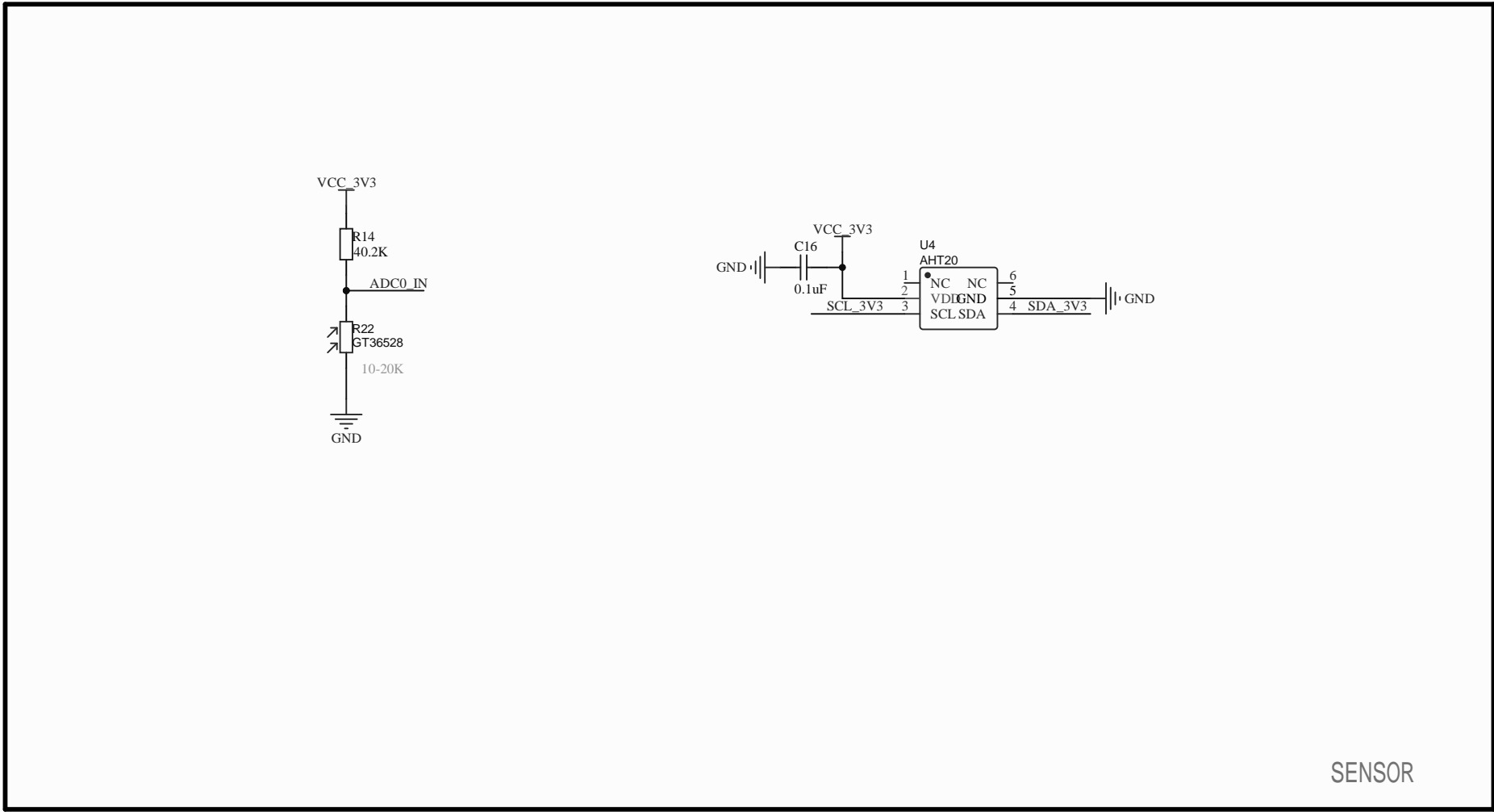
B

C

C

D

D



SENSOR

1

2

3

4

1

2

3

4

A

A

B

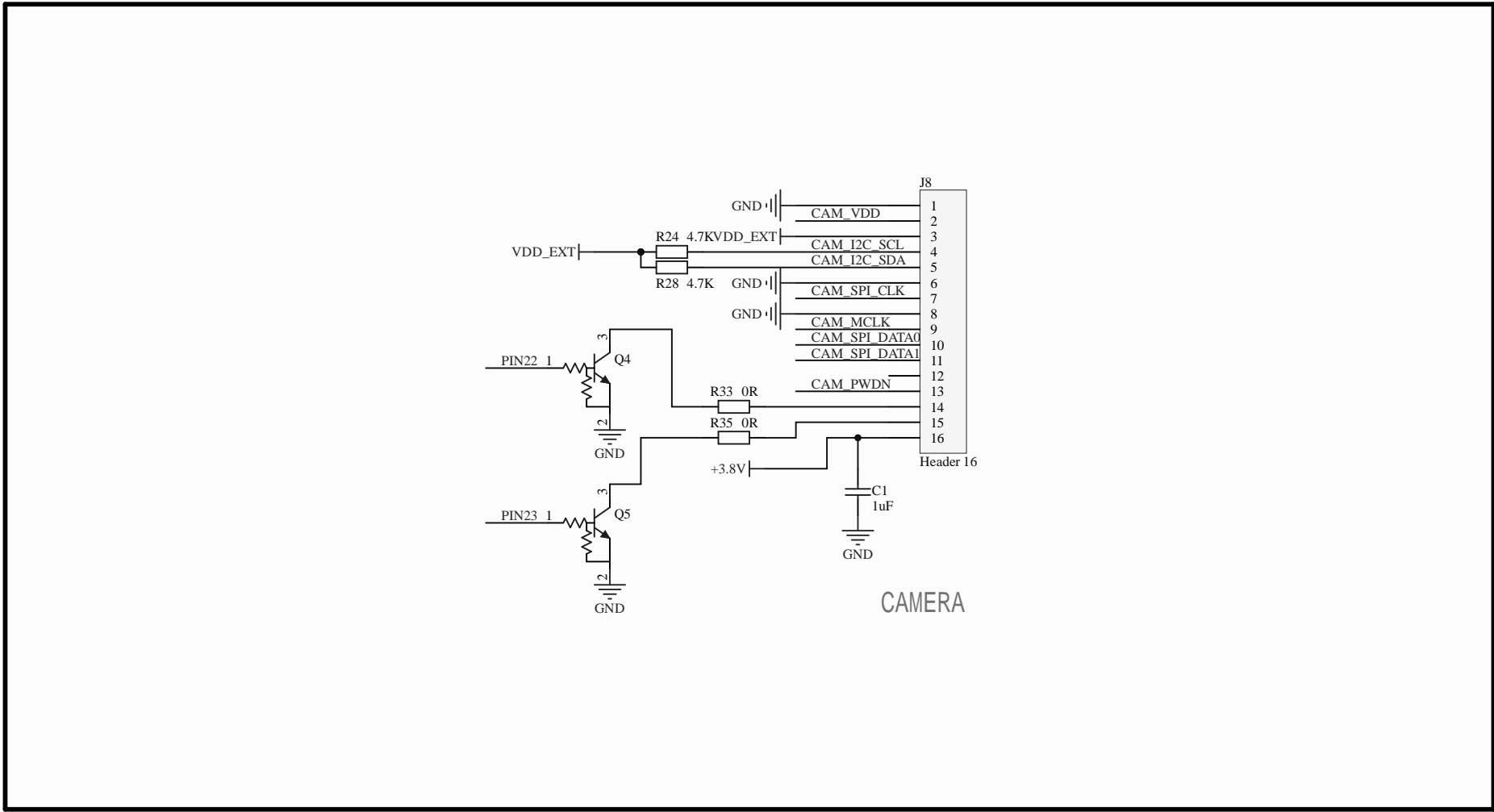
B

C

C

D

D



CAMERA

1

2

3

4

1

2

3

4

A

A

B

B

C

C

D

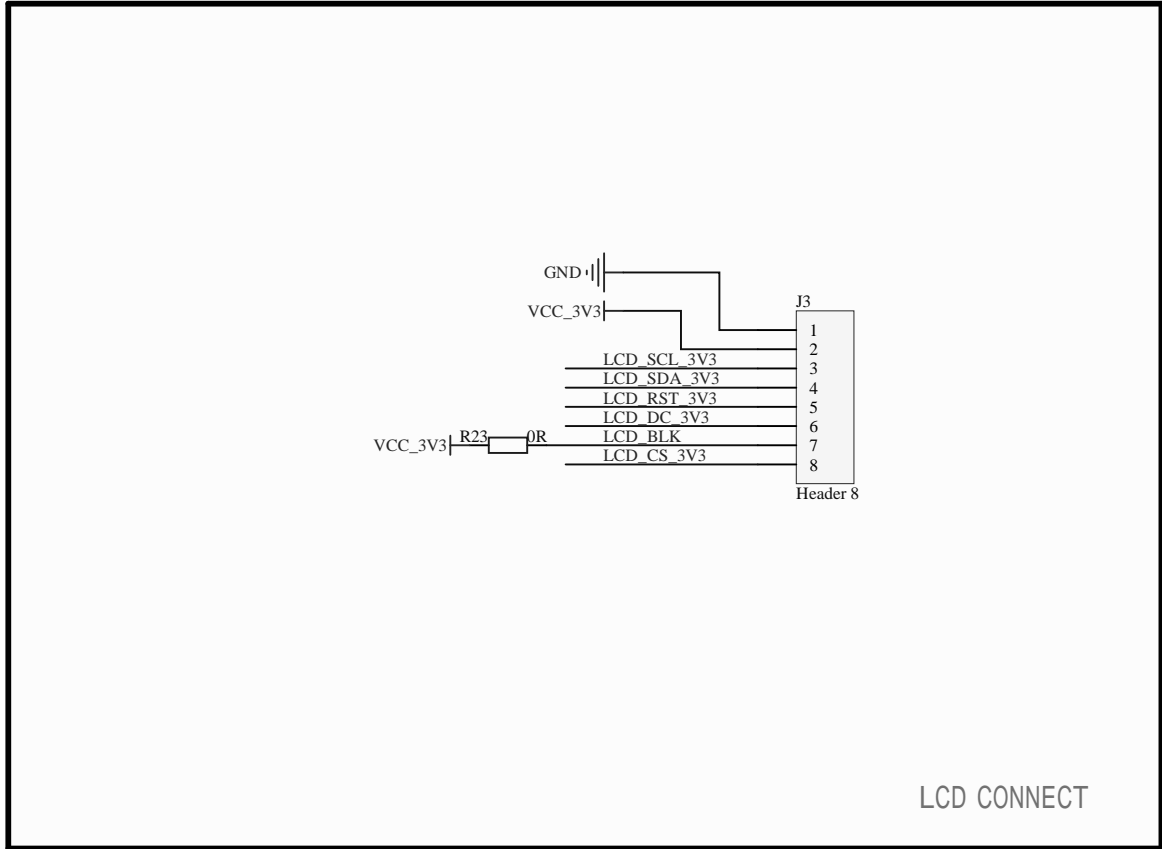
D

1

2

3

4



LCD CONNECT

1

2

3

4

A

A

B

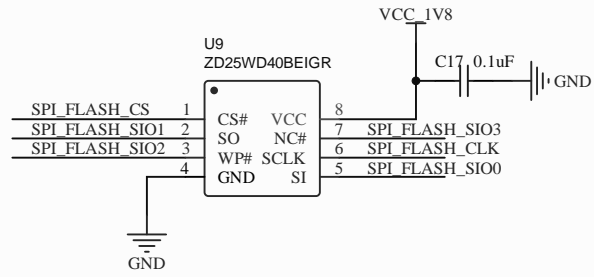
B

C

C

D

D



Flash

1

2

3

4